

QUANTUM SPINNING REEL OWNERS' MANUAL

CARE AND MAINTENANCE

Quantum reels are designed to handle all types of fishing environments and situations for many years when properly maintained and lubricated. After using your reel in saltwater, mist your reel thoroughly with warm fresh water to remove salt and grime after each use. Wipe it dry and lightly mist it with a water displacement lubricant or protectant. Be careful not to wash your reel under high pressure, or submerge your reel, both situations could force contaminants into the reel.

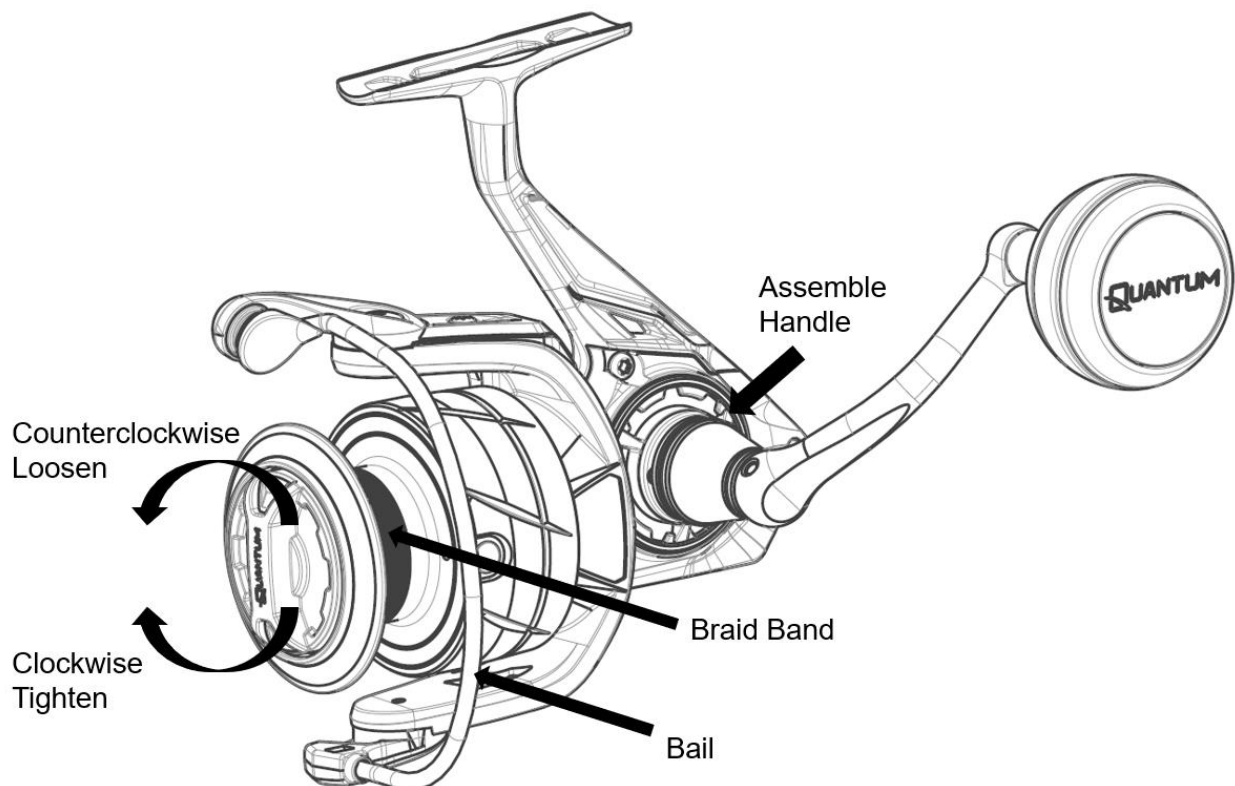
You should periodically clean and re-lubricate your reel to maintain proper function. Continued use and rinsing can cause the grease and/or oil to dissipate away from critical parts or migrate into areas that may hinder performance. We recommend Quantum Hot Sauce oil and grease. It's been formulated specifically to keep fishing reel components operating effectively. We also recommend that your reel be professionally disassembled and thoroughly cleaned and lubricated at least once a year, more often with heavy use or if reel is submerged.

All repairs or service should be done through a Quantum Authorized Service Center. To find a service center to order parts or for service visit our website or contact our Customer Support Center.

Website: quantumfishing.com

Email: info@quantumfishing.com

Customer Support Center Phone 800-588-9030



ASSEMBLE THE HANDLE

All Quantum spinning reels are designed to accommodate both right- and left-handed anglers. Out of the box they are assembled to be used with the handle on the left side. If this is your intent, simply thread the handle into the opening on the left side by turning the handle forward until tight while holding the rotor.

To change from left-hand crank to right-hand crank follow these steps:

- If the handle is assembled already, remove handle by turning it backwards.
- Remove the protective cap from the opposite side by turning it counterclockwise.
- Attach protective cap from where handle was removed by threading it on clockwise.
- Thread the handle into the opposite side of the reel by turning it forward while holding the rotor.

FILLING THE SPOOL WITH LINE

With any spinning reel you can experience excessive line twist problems by not spooling your reel correctly. This is best done by a tackle dealer who will put the reel spool on a line winding machine and fill it directly onto the spool without twisting the line. We recommend you use a high-quality line.

To do it yourself, attach reel to rod. Tighten the drag. Open the bail, run line through the guides and tie to the spool. If your spool is braid ready, you can tie braided line directly to the spool. A spool is braid ready if it includes a rubber braid band. If you are using braided line and your spool is not braid ready, you will need to add about 10 yards or so of monofilament line onto the spool before filling with braid, otherwise the braided line could slip on the spool in use. Once the line is adequately tied to the spool or monofilament backing, close the bail and start winding on the line while applying tension to the line with your fingers or from the help of someone else. If the line starts to twist, you can lay the spool of line on its side and wind on some line to see if it gets better. If it gets worse, flip the spool onto the other side and try again. If you load your spool manually you will inevitably introduce some twist to the line. Line twist is most evident by small, tight loops in the line.

Other things that cause line twist:

- Cranking against the drag/cranking without retrieving line
- Lures or baits that spin
- Long drag runs

Line twist can be removed by removing the line and properly filling the spool with line or, while in a boat, remove all terminal tackle (hooks, lures, swivels, etc.) and feeding a large length of line behind a boat moving at idle speed. Once 30 or 40 yards have been released behind the boat, close the bail, and drag the line for a minute or so, allowing the line to untwist. Then crank the line back onto the spool.

WIND KNOTS

Wind knots are knots in the line that occasionally occur when line gets tangled-up and normally apparent when casting. Your Quantum reel has been engineered to reduce the possibility of wind knots. Wind knots, however, happen from time to time for various reasons. The most likely cause of wind knots is overfilling the spool with line. Wind knot frequency is worsened by line twist and low-quality line. If you experience frequent wind knots, check to make sure your spool is not overfilled, and your line is not twisted.

REMOVING THE SPOOL

Removing the spool is needed if you're planning to spool the reel using a mechanical line winder. To remove the spool, turn the drag knob counterclockwise until you can pull the drag knob and spool from the shaft. To replace, slide the spool back onto the shaft. You may need to turn the spool back and forth until it is fully seated onto the shaft to where the drag knob can be replaced. Turn the drag knob clockwise until you feel the drag tighten. You will now need to re-set your drag to the proper setting.

SETTING THE DRAG

Your Quantum reel features our exclusive super smooth CFX 200 drag system. The drag may be accurately adjusted for a wide range of fishing conditions. Turn the drag knob clockwise to increase the drag, and counterclockwise to decrease the drag.

We recommend that you test the drag with a scale for the most accurate setting. Be sure the reel is full of line and is mounted on a rod, with the line going through the guides. Attach a scale to the line and pull with some speed, loading the rod as if you were fishing. Record the reading on the scale while pulling the line.

Repeat as necessary to set your drag at 25% to 35% of the line's rated breaking strength - as a rule of thumb. For example, if you are using 10-pound test line, set the drag at 2.5 lbs. - 3.5 lbs. If you are trying to set the drag at 3.5 lbs. for example, make necessary adjustments until the drag just begins to slip at 3.5lbs.